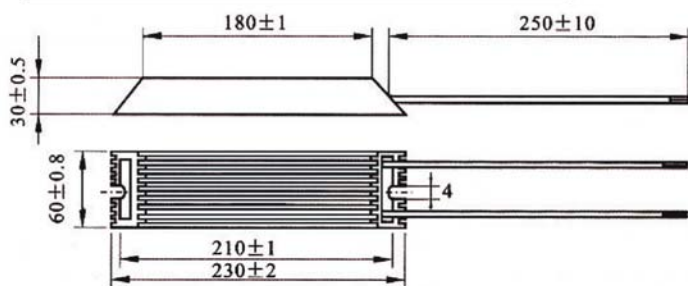
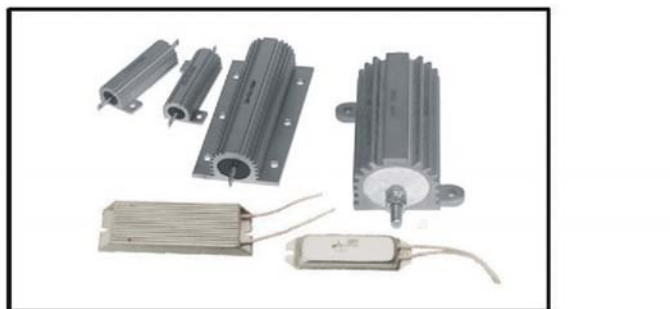


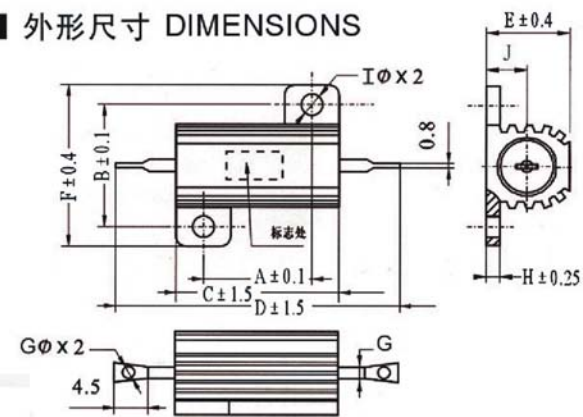
鋁外殼功率型線繞電阻器 AH 系列

Aluminum Housed Power Wirewound Resistors AH Series

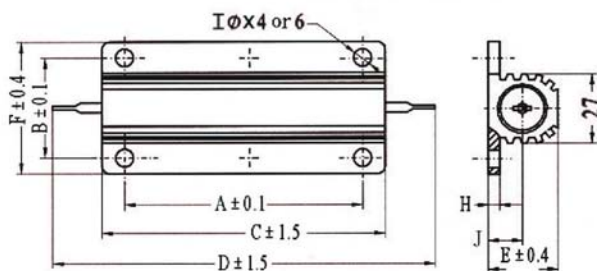
■ 外形尺寸 DIMENSIONS



250W BOAT TYPE 船型鋁殼電



AH Series 5W~50W



AH Series 75W~300W

■ 技術說明 TECHNICAL SPECIFICATIONS

| 型號 (Type) | 額定功率 Rated Power(W) Ambient temperature=70°C | 阻值範圍(Resistance range) | | 外形尺寸 Dimensions(mm) | | | | | | | | | |
|--------------|-------------------------------------------------------|------------------------|---------------|---------------------|------|------|------|------|------|-----|-----|-----|------|
| | | 最小值 (Min.) | 最大值 (Max.) | A | B | C | D | E | F | G | H | I | J |
| AH-05 | 5W | 1R0 | 2K7 | 11.3 | 12.5 | 15.0 | 28.6 | 8.5 | 16.4 | 1.5 | 1.6 | 2.5 | 4.4 |
| AH-10 | 10W | 1R0 | 3K3 | 14.3 | 15.9 | 19.0 | 35.0 | 10.8 | 20.3 | 2.0 | 1.9 | 2.5 | 5.0 |
| AH-25 | 25W | 1R0 | 5K1 | 18.3 | 19.8 | 27.0 | 49.3 | 13.5 | 27.4 | 2.0 | 2.2 | 3.5 | 5.0 |
| AH-35 | 35W | 1R0 | 10K | 23.5 | 22.8 | 34.0 | 56.6 | 15.6 | 28.8 | 2.0 | 2.2 | 3.5 | 7.0 |
| AH-50 | 50W | 1R0 | 33K | 39.7 | 21.5 | 50.0 | 70.6 | 15.6 | 28.8 | 2.0 | 2.2 | 3.5 | 7.0 |
| AH-75 | 75W | 1R0 | 62K | 35.0 | 37.0 | 66.5 | 85.9 | 27.0 | 48.0 | — | 3.5 | 4.4 | 11.5 |
| AH-100 | 100W | 1R0 | 75K | 40.0 | 37.0 | 85.0 | 105 | 27.0 | 48.0 | — | 3.5 | 4.4 | 11.5 |
| AH-200 | 200W | 1R0 | 75K | 70.0 | 57.2 | 92.0 | 146 | 46.0 | 73.0 | — | 5.0 | 5.1 | 20.0 |
| AH-250 | 250W | 1R0 | 75K | 89.0 | 57.2 | 112 | 166 | 46.0 | 73.0 | — | 5.0 | 5.1 | 20.0 |
| AH-300 | 300W | 1R0 | 75K | 104 | 57.2 | 130 | 186 | 46.0 | 73.0 | — | 5.0 | 6.6 | 20.0 |

★ 最大功率可到 1000W, 可提供特殊尺寸需求, 本表尺寸可提供參考. 1000W & Special design are available. This dimensions are a reference table

■ 特性 CHARACTERISTICS

| 試驗項目 TEST ITEM | 性能要求 SPECIFICATIONS |
|-----------------------------------|------------------------------------------------------------|
| 精度 (Tolerance) | ±1%(F) ±2%(G) ±5%(J) ±10%(K) |
| 溫度係數 (Temperature coefficient) | ±50 ±250 10 ⁻⁶ /°C |
| 絕緣電壓 (Insulation voltage) | 1000V(605 ~ 610), 2000V(615 ~ 615 ~ 640) |
| 絕緣電阻 (Insulation resistance) | 55 / 155 / 21 |
| 溫度範圍 (Temperature range) | -55 ~ 275°C |
| 長期試驗 (Load life) | ΔR ≤ ± (5%R + 0.1Ω) |
| 引出端強度 (Terminal tensile strength) | ΔR ≤ ± (1%R + 0.05Ω) |
| 可焊性 (Solderability) | IEC68—2—20(1968) 槽焊法, 235°C±5C, 2±0.5s(solder bath method) |