

SMD Type Power Inductors 晶片型功率電感

FPI Series

Unshielded Power Inductors 無護殼型



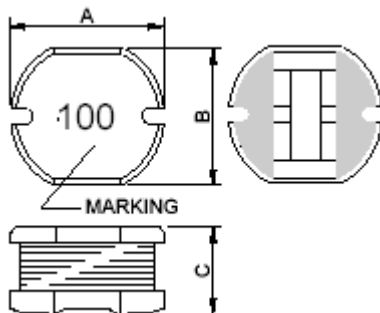
Features

1. Excellent solderability and high heat resistance
2. Excellent terminal strength construction.
3. Packed in embossed carrier tape and can be used by automatic mounting machine.

Applications

Power supply for VCR, OA equipment, LCD television set notebook, DC to DC converters, DC to AC inverters etc.

Dimensions



Series	A (mm)	B (mm)	C (mm)
FPI0302	3.50±0.3	3.00±0.3	2.10±0.3
FPI0403	4.50±0.3	4.00±0.3	3.20±0.3
FPI0502	5.80±0.3	5.20±0.3	2.00±0.3
FPI0504	5.80±0.3	5.20±0.3	4.50±0.3
FPI0703	7.80±0.3	7.00±0.3	3.50±0.3
FPI0705	7.80±0.3	7.00±0.3	5.00±0.3
FPI1004	10.0±0.3	9.00±0.3	4.00±0.3
FPI1005	10.0±0.3	9.00±0.3	5.40±0.3

特徵

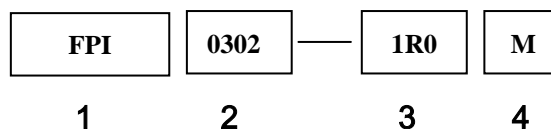
1. 絕佳的焊錫性及高溫耐熱性。
2. 絕佳的端面強度結構。
3. 卷軸包裝，可用於自動插件機器。

應用

VCR、辦公室自動設備、液晶電視機、筆記本電腦、直流整流器、直流-交流換流器等之電源供應器

Material	
a. Core	Ferrite DR Core
b. Wire	Enamelled copper Wire
c. Terminal	Ag+Ni+Sn/Pb

Part Numbering



1. Series
2. Dimension : A*C
3. Inductance : 1R0 = 1.0uH
4. Inductance Tolerance : J=±5% , K=±10% , M=±20%

FPI 0302 Series

Part Number	Inductance (uH)	Test Frequency (Hz)	DCR (Ω)max	IDC (A)max
FPI0302-1R0M	1.0	1V/7.96M	0.04	1.50
FPI0302-1R4M	1.4	1V/7.96M	0.05	1.50
FPI0302-1R8M	1.8	1V/7.96M	0.06	0.80
FPI0302-2R2M	2.2	1V/7.96M	0.08	0.75
FPI0302-2R7M	2.7	1V/7.96M	0.10	0.75
FPI0302-3R3M	3.3	1V/7.96M	0.15	0.60
FPI0302-3R9M	3.9	1V/7.96M	0.20	0.50
FPI0302-4R7M	4.7	1V/7.96M	0.20	0.50
FPI0302-5R6M	5.6	1V/7.96M	0.23	0.45
FPI0302-6R8M	6.8	1V/7.96M	0.25	0.40
FPI0302-8R2M	8.2	1V/7.96M	0.30	0.40
FPI0302-100M	10	1V/2.52M	0.35	0.35
FPI0302-120M	12	1V/2.52M	0.40	0.35
FPI0302-150M	15	1V/2.52M	0.50	0.30
FPI0302-180M	18	1V/2.52M	0.55	0.30
FPI0302-220M	22	1V/2.52M	0.60	0.30
FPI0302-270M	27	1V/2.52M	0.70	0.30
FPI0302-330M	33	1V/2.52M	1.00	0.25
FPI0302-390M	39	1V/2.52M	1.20	0.25
FPI0302-470M	47	1V/2.52M	1.50	0.20
FPI0302-560M	56	1V/2.52M	1.80	0.20
FPI0302-680M	68	1V/2.52M	2.00	0.18
FPI0302-820M	82	1V/2.52M	2.50	0.16
FPI0302-101M	100	1V/1K	3.00	0.15
FPI0302-121M	120	1V/1K	3.50	0.14
FPI0302-151M	150	1V/1K	4.00	0.13
FPI0302-181M	180	1V/1K	5.00	0.10
FPI0302-221M	220	1V/1K	5.50	0.10
FPI0302-271M	270	1V/1K	6.00	0.10
FPI0302-331M	330	1V/1K	7.00	0.10
FPI0302-391M	390	1V/1K	8.00	0.10
FPI0302-471M	470	1V/1K	12.00	0.09

Other non standard inductance value are available to meet your requirements

Note: 1. Inductance measured by LCR Meter HP-4291A 2. DCR measured by Milliohm meter HP-4338A

FPI 0403 Series

Part Number	Inductance (uH)	Test Frequency (Hz)	DCR (Ω)max	IDC (A)max
FPI0403-1R0M	1.0	1V/7.96M	0.03	4.00
FPI0403-1R4M	1.4	1V/7.96M	0.04	3.50
FPI0403-1R8M	1.8	1V/7.96M	0.05	3.00
FPI0403-2R2M	2.2	1V/7.96M	0.06	2.60
FPI0403-2R7M	2.7	1V/7.96M	0.06	2.20
FPI0403-3R3M	3.3	1V/7.96M	0.07	2.00
FPI0403-3R9M	3.9	1V/7.96M	0.07	2.00
FPI0403-4R7M	4.7	1V/7.96M	0.08	1.90
FPI0403-5R6M	5.6	1V/7.96M	0.12	1.80
FPI0403-6R8M	6.8	1V/7.96M	0.14	1.60
FPI0403-8R2M	8.2	1V/7.96M	0.15	1.40
FPI0403-100M	10	1V/2.52M	0.19	1.10
FPI0403-120M	12	1V/2.52M	0.21	1.10
FPI0403-150M	15	1V/2.52M	0.25	1.00
FPI0403-180M	18	1V/2.52M	0.30	1.00
FPI0403-220M	22	1V/2.52M	0.35	0.80
FPI0403-270M	27	1V/2.52M	0.45	0.75
FPI0403-330M	33	1V/2.52M	0.60	0.70
FPI0403-390M	39	1V/2.52M	0.70	0.65
FPI0403-470M	47	1V/2.52M	0.80	0.60
FPI0403-560M	56	1V/2.52M	0.85	0.55
FPI0403-680M	68	1V/2.52M	1.00	0.50
FPI0403-820M	82	1V/2.52M	1.10	0.46
FPI0403-101M	100	1V/1K	1.20	0.22
FPI0403-121M	120	1V/1K	1.60	0.20
FPI0403-151M	150	1V/1K	2.00	0.20
FPI0403-181M	180	1V/1K	3.00	0.20
FPI0403-221M	220	1V/1K	3.00	0.20
FPI0403-271M	270	1V/1K	4.00	0.16
FPI0403-331M	330	1V/1K	4.00	0.14
FPI0403-391M	390	1V/1K	5.00	0.12
FPI0302-471M	470	1V/1K	6.00	0.12
FPI0302-561M	560	1V/1K	7.00	0.10

Other non standard inductance value are available to meet your requirements

Note: 1.Inductance measured by LCR Meter HP-4291A 2.DCR measured by Milliohm meter HP-4338A

FPI 0502 Series

Part Number	Inductance (uH)	Test Frequency (Hz)	DCR (Ω)max	IDC (A)max
FPI0502-1R0M	1.0	1V/7.96M	0.03	1.50
FPI0502-1R4M	1.4	1V/7.96M	0.04	1.50
FPI0502-1R8M	1.8	1V/7.96M	0.05	1.50
FPI0502-2R2M	2.2	1V/7.96M	0.06	1.50
FPI0502-2R7M	2.7	1V/7.96M	0.07	1.50
FPI0502-3R3M	3.3	1V/7.96M	0.08	1.50
FPI0502-3R9M	3.9	1V/7.96M	0.09	1.00
FPI0502-4R7M	4.7	1V/7.96M	0.10	1.00
FPI0502-5R6M	5.6	1V/7.96M	0.11	1.00
FPI0502-6R8M	6.8	1V/7.96M	0.14	0.70
FPI0502-8R2M	8.2	1V/7.96M	0.15	0.65
FPI0502-100M	10	1V/2.52M	0.30	0.60
FPI0502-120M	12	1V/2.52M	0.35	0.60
FPI0502-150M	15	1V/2.52M	0.40	0.55
FPI0502-180M	18	1V/2.52M	0.45	0.50
FPI0502-220M	22	1V/2.52M	0.50	0.50
FPI0502-270M	27	1V/2.52M	0.55	0.45
FPI0502-330M	33	1V/2.52M	0.60	0.40
FPI0502-390M	39	1V/2.52M	0.70	0.35
FPI0502-470M	47	1V/2.52M	0.80	0.30
FPI0502-560M	56	1V/2.52M	0.90	0.25
FPI0502-680M	68	1V/2.52M	1.20	0.25
FPI0502-820M	82	1V/2.52M	1.50	0.22
FPI0502-101M	100	1V/1K	2.00	0.21
FPI0502-121M	120	1V/1K	3.00	0.20
FPI0502-151M	150	1V/1K	4.00	0.18
FPI0502-181M	180	1V/1K	4.00	0.15
FPI0502-221M	220	1V/1K	4.50	0.15
FPI0502-271M	270	1V/1K	5.00	0.15
FPI0502-331M	330	1V/1K	6.00	0.14
FPI0502-391M	390	1V/1K	6.50	0.14
FPI0502-471M	470	1V/1K	7.00	0.12
FPI0502-561M	560	1V/1K	8.00	0.12

Other non standard inductance value are available to meet your requirements

Note: 1. Inductance measured by LCR Meter HP-4291A 2. DCR measured by Milliohm meter HP-4338A

FPI 0504 Series

Part Number	Inductance (uH)	Test Frequency (Hz)	DCR (Ω)max	IDC (A)max
FPI0504-1R0M	1.0	1V/7.96M	0.018	3.50
FPI0504-1R4M	1.4	1V/7.96M	0.020	3.50
FPI0504-1R8M	1.8	1V/7.96M	0.025	3.00
FPI0504-2R2M	2.2	1V/7.96M	0.030	2.80
FPI0504-2R7M	2.7	1V/7.96M	0.035	2.60
FPI0504-3R3M	3.3	1V/7.96M	0.040	2.50
FPI0504-3R9M	3.9	1V/7.96M	0.050	2.30
FPI0504-4R7M	4.7	1V/7.96M	0.060	2.60
FPI0504-5R6M	5.6	1V/7.96M	0.070	2.40
FPI0504-6R8M	6.8	1V/7.96M	0.080	2.20
FPI0504-8R2M	8.2	1V/7.96M	0.080	2.00
FPI0504-100M	10	1V/2.52M	0.090	1.80
FPI0504-120M	12	1V/2.52M	0.100	1.60
FPI0504-150M	15	1V/2.52M	0.120	1.50
FPI0504-180M	18	1V/2.52M	0.150	1.40
FPI0504-220M	22	1V/2.52M	0.180	1.30
FPI0504-270M	27	1V/2.52M	0.220	1.20
FPI0504-330M	33	1V/2.52M	0.260	1.00
FPI0504-390M	39	1V/2.52M	0.300	0.90
FPI0504-470M	47	1V/2.52M	0.350	0.85
FPI0504-560M	56	1V/2.52M	0.400	0.80
FPI0504-680M	68	1V/2.52M	0.450	0.70
FPI0504-820M	82	1V/2.52M	0.500	0.70
FPI0504-101M	100	1V/1K	0.700	0.60
FPI0504-121M	120	1V/1K	0.750	0.60
FPI0504-151M	150	1V/1K	0.900	0.55
FPI0504-181M	180	1V/1K	1.100	0.50
FPI0504-221M	220	1V/1K	1.200	0.40
FPI0504-271M	270	1V/1K	1.500	0.25
FPI0504-331M	330	1V/1K	3.000	0.22
FPI0504-391M	390	1V/1K	3.500	0.20
FPI0504-471M	470	1V/1K	4.000	0.19
FPI0504-561M	560	1V/1K	4.000	0.18
FPI0504-681M	680	1V/1K	4.500	0.15

Other non standard inductance value are available to meet your requirements

Note: 1.Inductance measured by LCR Meter HP-4291A 2.DCR measured by Milliohm meter HP-4338A

FPI 0703 Series

Part Number	Inductance (μ H)	Test Frequency (Hz)	DCR (Ω)max	IDC (A)max
FPI0703-100M	10	1V/2.52M	0.0803	1.44
FPI0703-120M	12	1V/2.52M	0.0897	1.39
FPI0703-150M	15	1V/2.52M	0.1040	1.24
FPI0703-180M	18	1V/2.52M	0.1110	1.12
FPI0703-220M	22	1V/2.52M	0.1290	1.07
FPI0703-270M	27	1V/2.52M	0.1530	0.97
FPI0703-330M	33	1V/2.52M	0.1700	0.85
FPI0703-390M	39	1V/2.52M	0.2170	0.74
FPI0703-470M	47	1V/2.52M	0.2520	0.68
FPI0703-560K	56	1V/2.52M	0.2820	0.64
FPI0703-680K	68	1V/2.52M	0.3320	0.59
FPI0703-820K	82	1V/2.52M	0.4060	0.54
FPI0703-101K	100	1V/1K	0.4810	0.51
FPI0703-121K	120	1V/1K	0.5360	0.49
FPI0703-151K	150	1V/1K	0.7550	0.40
FPI0703-181K	180	1V/1K	1.0220	0.36
FPI0703-221K	220	1V/1K	1.2000	0.31
FPI0703-271K	270	1V/1K	1.3060	0.29
FPI0703-331K	330	1V/1K	1.4950	0.28

Other non standard inductance value are available to meet your requirements

Note: 1.Inductance measured by LCR Meter HP-4291A 2.DCR measured by Milliohm meter HP-4338A

FPI 0705 Series

Part Number	Inductance (uH)	Test Frequency (Hz)	DCR (Ω)max	IDC (A)max
FPI0705-100M	10	1V/2.52M	0.0530	2.38
FPI0705-120M	12	1V/2.52M	0.0610	2.13
FPI0705-150M	15	1V/2.52M	0.0700	1.87
FPI0705-180M	18	1V/2.52M	0.0810	1.73
FPI0705-220M	22	1V/2.52M	0.0880	1.60
FPI0705-270M	27	1V/2.52M	0.1000	1.44
FPI0705-330M	33	1V/2.52M	0.1200	1.26
FPI0705-390M	39	1V/2.52M	0.1510	1.20
FPI0705-470M	47	1V/2.52M	0.1700	1.10
FPI0705-560K	56	1V/2.52M	0.1990	1.01
FPI0705-680K	68	1V/2.52M	0.2230	0.91
FPI0705-820K	82	1V/2.52M	0.2520	0.85
FPI0705-101K	100	1V/1K	0.3440	0.74
FPI0705-121K	120	1V/1K	0.3960	0.69
FPI0705-151K	150	1V/1K	0.5440	0.61
FPI0705-181K	180	1V/1K	0.6210	0.56
FPI0705-221K	220	1V/1K	0.7210	0.53
FPI0705-271K	270	1V/1K	0.9490	0.45
FPI0705-331K	330	1V/1K	1.1000	0.42
FPI0705-391K	390	1V/1K	1.245	0.38
FPI0705-471K	470	1V/1K	1.5260	0.35
FPI0705-561K	560	1V/1K	1.9040	0.32

Other non standard inductance value are available to meet your requirements

Note: 1.Inductance measured by LCR Meter HP-4291A 2.DCR measured by Milliohm meter HP-4338A

FPI 1004 Series

Part Number	Inductance (μ H)	Test Frequency (Hz)	DCR (Ω)max	IDC (A)max
FPI1004-100M	10	1V/2.52M	0.0530	2.38
FPI1004-120M	12	1V/2.52M	0.0610	2.13
FPI1004-150M	15	1V/2.52M	0.0700	1.87
FPI1004-180M	18	1V/2.52M	0.0810	1.73
FPI1004-220M	22	1V/2.52M	0.0880	1.60
FPI1004-270M	27	1V/2.52M	0.1000	1.44
FPI1004-330M	33	1V/2.52M	0.1200	1.26
FPI1004-390M	39	1V/2.52M	0.1510	1.20
FPI1004-470M	47	1V/2.52M	0.1700	1.10
FPI1004-560K	56	1V/2.52M	0.1990	1.01
FPI1004-680K	68	1V/2.52M	0.2230	0.91
FPI1004-820K	82	1V/2.52M	0.2520	0.85
FPI1004-101K	100	1V/1K	0.3440	0.74
FPI1004-121K	120	1V/1K	0.3960	0.69
FPI1004-151K	150	1V/1K	0.5440	0.61
FPI1004-181K	180	1V/1K	0.6210	0.56
FPI1004-221K	220	1V/1K	0.7210	0.53
FPI1004-271K	270	1V/1K	0.9490	0.45
FPI1004-331K	330	1V/1K	1.1000	0.42
FPI1004-391K	390	1V/1K	1.245	0.38
FPI1004-471K	470	1V/1K	1.5260	0.35
FPI1004-561K	560	1V/1K	1.9040	0.32

Other non standard inductance value are available to meet your requirements

Note: 1.Inductance measured by LCR Meter HP-4291A 2.DCR measured by Milliohm meter HP-4338A

FPI 1005 Series

Part Number	Inductance (uH)	Test Frequency (Hz)	DCR (Ω)max	IDC (A)max
FPI1005-100M	10	1V/2.52M	0.0600	2.60
FPI1005-120M	12	1V/2.52M	0.0700	2.45
FPI1005-150M	15	1V/2.52M	0.0800	2.27
FPI1005-180M	18	1V/2.52M	0.0900	2.15
FPI1005-220M	22	1V/2.52M	0.1000	1.95
FPI1005-270M	27	1V/2.52M	0.1100	1.76
FPI1005-330M	33	1V/2.52M	0.1200	1.50
FPI1005-390M	39	1V/2.52M	0.1400	1.37
FPI1005-470M	47	1V/2.52M	0.1700	1.28
FPI1005-560M	56	1V/2.52M	0.1900	1.17
FPI1005-680M	68	1V/2.52M	0.2200	1.11
FPI1005-820M	82	1V/2.52M	0.2500	1.00
FPI1005-101M	100	1V/1K	0.3500	0.97
FPI1005-121M	120	1V/1K	0.4000	0.89
FPI1005-151M	150	1V/1K	0.4700	0.78
FPI1005-181M	180	1V/1K	0.6300	0.72
FPI1005-221M	220	1V/1K	0.7300	0.66
FPI1005-271M	270	1V/1K	0.9700	0.57
FPI1005-331M	330	1V/1K	1.1500	0.52
FPI1005-391M	390	1V/1K	1.300	0.48
FPI1005-471M	470	1V/1K	1.4800	0.42
FPI1005-561M	560	1V/1K	1.9000	0.33
FPI1005-681M	680	1V/1K	2.2500	0.28
FPI1005-821M	820	1V/1K	2.5500	0.24

Other non standard inductance value are available to meet your requirements

Note: 1.Inductance measured by LCR Meter HP-4291A 2.DCR measured by Milliohm meter HP-4338A