

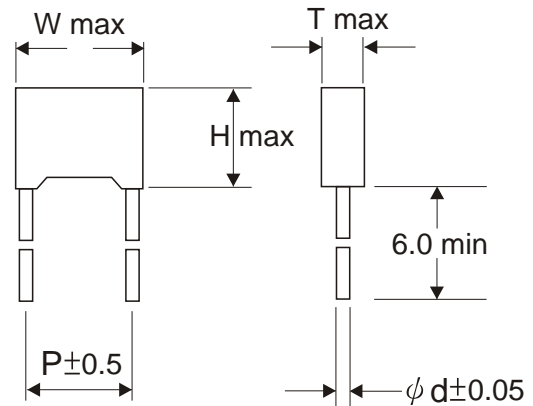
### METALLIZED POLYESTOR FILM CAPACITORS(ENCASED)

#### 金屬化聚酯薄膜電容器(盒子型)

#### MEC Series

##### •FEATURE 特點

- (1) Non-inductive construction
- (2) Self-healing
- (3) Flame-proof plastic case (compliance with UL94V-0)
- (4) High moisture resistance
- (1) 無感型結構
- (2) 自愈性
- (3) 不燃性塑膠盒(符合UL94V-0)
- (4) 耐高濕特性



##### •SPECIFICATIONS 規格

Operating Temperature Range 操作溫度範圍	-40°C ~ +85°C
Rated Working Voltage 額定工作電壓	100V, 250V, 400V, 630V (DC)
Rated Capacitance Range 電容值範圍	0.001 μF ~ 2.2 μF
Capacitance Tolerance 電容誤差值	J (± 5%), K (± 10%), M (± 20%)
Dielectric Strength 誘電強度	Withstand 150% of rated working voltage for 1 minute at 25 degree C.
Dissipation Factor (D.F.) 散逸因子	Less than 1.0% at 1KHz, 25°C
Insulation Resistance 絕緣電阻	15,000 MΩ min., for C ≤ 0.33 μF 5,000 MΩ X μF min., for C > 0.33 μF

##### •DIMENSIONS 尺寸

(unit:mm)

W.V.	100V DC	250V DC	400V DC	630V DC
Cap.( μF)	CASE CODE			
.001~.0047	C0	C0	C0	C0
0.0068	C1	C1	C1	C1
0.01	C1	C1	C1	C1
0.015	C1	C1	C1	C1
0.012	C1	C1	C1	C1
0.033	C1	C1	C2	D1
0.047	C1	C1	C3	D2
0.068	C1	C1	D1	D2
0.1	C1	C2	D1	D3
0.15	C1	C2	D2	E1
0.22	C1	C2	D3	E4
0.33	D1	D2	E1	F1
0.47	D2	D3	E3	F1
0.68	D2	E1	F1	F2
0.1	D3	E3	F1	F2
0.15	E1	F1	F2	
2.2	E2	F1		

##### •CASE SIZE 盒子尺寸

CASE CODE	W	H	T	P	d φ
C0	10.5	9.0	4.0	7.5	0.6
C1	13.0	9.0	4.0	10.0	0.6
C2	13.0	11.0	5.0	10.0	0.6
C3	13.0	12.0	6.0	10.0	0.6
D1	18.0	11.0	5.0	15.0	0.8
D2	18.0	12.0	6.0	15.0	0.8
D3	18.0	13.5	7.5	15.0	0.8
D4	18.0	14.5	8.5	15.0	0.8
E1	26.5	15.0	6.0	22.5	0.8
E2	26.5	16.5	7.0	22.5	0.8
E3	26.5	17.0	8.5	22.5	0.8
E4	26.5	19.0	10.0	22.5	0.8
F1	32.0	20.0	11.0	27.5	0.8
F2	32.0	22.0	13.0	27.5	0.8
F3	32.0	30.0	15.0	27.5	0.8

\* Special Dimensions & Outlines are available.  
可提供特殊尺寸和特殊外型之外盒