

SMD Type Power Inductors 晶片型功率電感

TPRH Series

Shielded High Current SMD Power Inductor 護殼型高電流



Features

1. Magnetic Shielded surface mount inductor with high Current rating.
2. Low resistance to keep power loss minimum.

Applications

Excellent for power line DC-DC conversion applications
Used in hard disk notebook computers and other electronic Equipment.

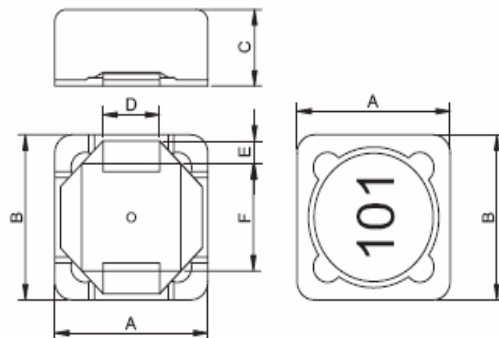
特徵

1. 磁遮廠表面粘著型式電感，具高額定電流。
2. 低電阻令功率損失降至最低。

應用

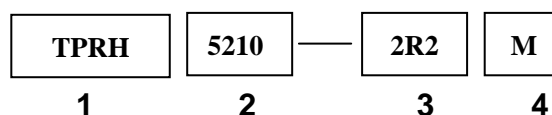
適合於硬式磁碟機、筆記型電腦和其他電子設備
中電源線路上直流對直流整流的應用。

Dimensions



Chip size						
Size	A(mm)	B(mm)	C(mm)	D(mm)	E(mm)	F(mm)
TPRH1204	12.5±0.3	12.5±0.3	4.6max	5.02±0.2	2.2±0.2	7.6±0.2
TPRH1205	12.5±0.3	12.5±0.3	6.0max	5.02±0.2	2.2±0.2	7.6±0.2
TPRH1207	12.5±0.3	12.5±0.3	8.0max	5.02±0.2	2.2±0.2	7.6±0.2

Part Numbering



- 1 . Series
- 2 . Dimension : A*C
- 3 . Inductance : 2R2 =2.2uH
- 4 . Inductance Tolerance : K=±1 0%, M=±20%, Y=±30%

TPRH 1204 Series

Part Number	Inductance (uH)	Test Frequency (Hz)	DCR (Ω)max	IDC (A)max
TPRH1204-3R3M	3.3 \pm 20%	1V/100K	0.015	6.50
TPRH1204-4R7M	4.7 \pm 20%	1V/100K	0.018	5.70
TPRH1204-6R8M	6.8 \pm 20%	1V/100K	0.023	4.90
TPRH1204-100M	10 \pm 20%	1V/100K	0.028	4.50
TPRH1204-120M	12 \pm 20%	1V/100K	0.038	4.00
TPRH1204-150M	15 \pm 20%	1V/100K	0.052	3.20
TPRH1204-180M	18 \pm 20%	1V/100K	0.060	3.10
TPRH1204-220M	22 \pm 20%	1V/100K	0.070	2.90
TPRH1204-270M	27 \pm 20%	1V/100K	0.080	2.80
TPRH1204-330M	33 \pm 20%	1V/100K	0.097	2.70
TPRH1204-390M	39 \pm 20%	1V/100K	0.132	2.10
TPRH1204-470M	47 \pm 20%	1V/100K	0.150	1.90
TPRH1204-560M	56 \pm 20%	1V/100K	0.190	1.80
TPRH1204-680M	68 \pm 20%	1V/100K	0.220	1.50
TPRH1204-820M	82 \pm 20%	1V/100K	0.260	1.30
TPRH1204-101M	100 \pm 20%	1V/100K	0.308	1.20
TPRH1204-121M	120 \pm 20%	1V/100K	0.380	1.10
TPRH1204-151M	150 \pm 20%	1V/100K	0.520	0.95
TPRH1204-181M	180 \pm 20%	1V/100K	0.600	0.85
TPRH1204-221M	220 \pm 20%	1V/100K	0.700	0.80
TPRH1204-271M	270 \pm 20%	1V/100K	0.860	0.60
TPRH1204-331M	330 \pm 20%	1V/100K	0.980	0.50

Note: 1. Inductance measured by LCR Meter HP4294/HP4291

2. DCR measured by Milliohm meter CH502AC

TPRH 1205 Series

Part Number	Inductance (uH)	Test Frequency (Hz)	DCR (Ω)max	IDC (A) max
TPRH1205-1R3Y	1.3±30%	1V/100K	0.012	8.00
TPRH1205-2R2Y	2.2±30%	1V/100K	0.014	7.00
TPRH1505-3R1Y	3.1±30%	1V/100K	0.017	6.00
TPRH1205-4R4Y	4.4±30%	1V/100K	0.020	5.00
TPRH1205-5R2Y	5.2±30%	1V/100K	0.021	4.40
TPRH1205-7R5Y	7.5±30%	1V/100K	0.024	4.20
TPRH1205-100M	10±20%	1V/100K	0.025	4.00
TPRH1205-120M	12±20%	1V/100K	0.027	3.50
TPRH1205-150M	15±20%	1V/100K	0.030	3.30
TPRH1205-180M	18±20%	1V/100K	0.034	3.00
TPRH1205-220M	22±20%	1V/100K	0.036	2.80
TPRH1205-270M	27±20%	1V/100K	0.051	2.30
TPRH1205-330M	33±20%	1V/100K	0.057	2.10
TPRH1205-390M	39±20%	1V/100K	0.068	2.00
TPRH1205-470M	47±20%	1V/100K	0.075	1.80
TPRH1205-560M	56±20%	1V/100K	0.110	1.70
TPRH1205-680M	68±20%	1V/100K	0.120	1.50
TPRH1205-820M	82±20%	1V/100K	0.140	1.40
TPRH1205-101M	100±20%	1V/100K	0.16	1.30
TPRH1205-121M	120±20%	1V/100K	0.17	1.10
TPRH1205-151M	150±20%	1V/100K	0.23	1.00
TPRH1205-181M	180±20%	1V/100K	0.29	0.90
TPRH1205-221M	220±20%	1V/100K	0.40	0.80
TPRH1205-271M	270±20%	1V/100K	0.46	0.75
TPRH1205-331M	330±20%	1V/100K	0.51	0.68
TPRH1205-391M	390±20%	1V/100K	0.69	0.65
TPRH1205-471M	470±20%	1V/100K	0.77	0.58
TPRH1205-561M	560±20%	1V/100K	0.86	0.54
TPRH1205-681M	680±20%	1V/100K	1.20	0.48
TPRH1205-821M	820±20%	1V/100K	1.34	0.43
TPRH1205-102M	1000±20%	1V/100K	1.53	0.40

Note: 1.Inductance measured by LCR Meter HP4294/HP4291

2.DCR measured by Milliohm meter CH502AC

TPRH 1207 Series

Part Number	Inductance (uH)	Test Frequency (Hz)	DCR (Ω)max	IDC (A)max
TPRH1207-1R2Y	1.2 \pm 30%	1V/100K	0.0070	9.80
TPRH1207-2R4Y	2.4 \pm 30%	1V/100K	0.0115	8.00
TPRH1507-3R5Y	3.5 \pm 30%	1V/100K	0.0135	7.50
TPRH1207-4R7Y	4.7 \pm 30%	1V/100K	0.0158	6.80
TPRH1207-5R6Y	5.6 \pm 30%	1V/100K	0.0176	6.60
TPRH1207-7R6Y	7.6 \pm 30%	1V/100K	0.0200	5.90
TPRH1207-100M	10 \pm 20%	1V/100K	0.216	5.40
TPRH1207-120M	12 \pm 20%	1V/100K	0.243	4.90
TPRH1207-150M	15 \pm 20%	1V/100K	0.0270	4.50
TPRH1207-180M	18 \pm 20%	1V/100K	0.0392	3.90
TPRH1207-220M	22 \pm 20%	1V/100K	0.0432	3.60
TPRH1207-270M	27 \pm 20%	1V/100K	0.0459	3.40
TPRH1207-330M	33 \pm 20%	1V/100K	0.0648	3.00
TPRH1207-390M	39 \pm 20%	1V/100K	0.0729	2.75
TPRH1207-470M	47 \pm 20%	1V/100K	0.100	2.50
TPRH1207-560L	56 \pm 15%	1V/100K	0.110	2.35
TPRH1207-680L	68 \pm 15%	1V/100K	0.140	2.10
TPRH1207-820L	82 \pm 15%	1V/100K	0.160	1.95
TPRH1207-101L	100 \pm 15%	1V/100K	0.220	1.70
TPRH1207-121L	120 \pm 15%	1V/100K	0.250	1.60
TPRH1207-151L	150 \pm 15%	1V/100K	0.280	1.42
TPRH1207-181K	180 \pm 10%	1V/100K	0.350	1.30
TPRH1207-221K	220 \pm 10%	1V/100K	0.390	1.16
TPRH1207-271K	270 \pm 10%	1V/100K	0.560	1.06
TPRH1207-331K	330 \pm 10%	1V/100K	0.640	0.95
TPRH1207-391K	390 \pm 10%	1V/100K	0.700	0.88
TPRH1207-471K	470 \pm 10%	1V/100K	0.980	0.79
TPRH1207-561K	560 \pm 10%	1V/100K	1.070	0.73
TPRH1207-681K	680 \pm 10%	1V/100K	1.460	0.67
TPRH1207-821K	820 \pm 10%	1V/100K	1.640	0.60
TPRH1207-102K	1000 \pm 10%	1V/100K	1.820	0.55

Note: 1. Inductance measured by LCR Meter HP4294/HP4291

2. DCR measured by Milliohm meter CH502AC